



Depend on Davey

DAVEY

APPLICATIONS

Ideal for swimming pool applications such as:

- Inground swimming pools
- Above ground swimming pools
- Models suitable for pools up to 95,000 litres

WHY CHOOSE THE PREMIUM CrystalClear Fibreglass Media Filter?

- Virtually maintenance free and easy to use
- Internally designed to offer greater water efficiency during maintenance
- Constructed from strong corrosion and UV resistant polyester reinforced fibre glass, providing long and reliable working life
- Specially designed **T-Laterals and hub** assembly to optimise water flow for efficient filtration, backwashing and water savings
- Computer designed providing optimal tank strength and filtration performance
- Large diameter tank for maximum filtration area
- Up to 370 kpa operating pressure
- Large media capacity providing less frequent backwashing to save water
- Premium quality 6-way ABS multiport valve with 3 year warranty, for easy backwash and filter control at the flick of a handle
- Built-in waste port sight glass for high visibility of water during backwashing
- Stainless steel liquid filled pressure gauge makes it easy to see when backwashing is required
- Automatic air bleed prevents the build up of air in the tank ensuring effective filtration
- A.B.S. barrel unions supplied makes installation simple
- Flexi swivel-joint unions on the inlet and outlet of the multiport valves only, models: DCC2140 and DCC2540
- High rate design for maximum efficiency
- Suitable for sand, Zelbrite and glass media
- Suitable for salt, mineral salt and fresh water pools

NEW

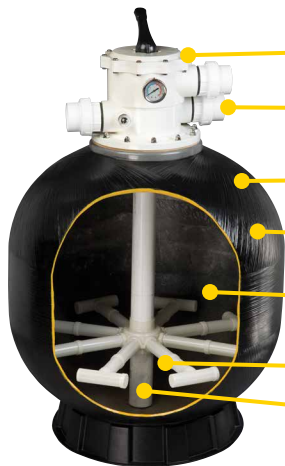
GUARANTEE
10 Years - Tank
3 Years - Multiport Valve

DAVEY

CrystalClear[®]

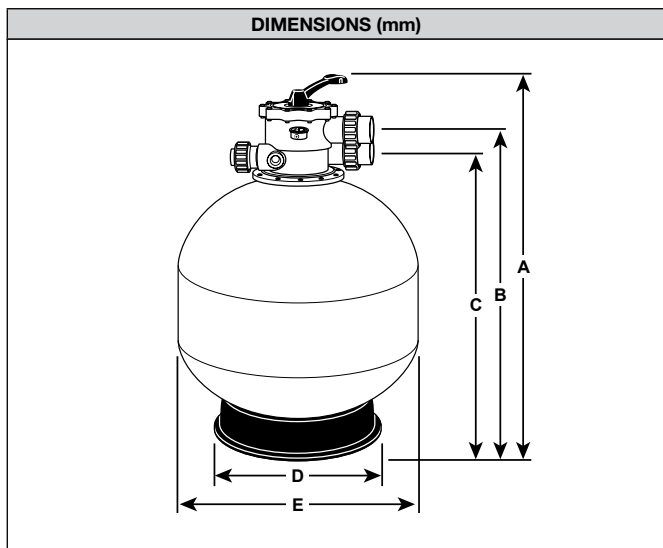
Fibreglass Media Filters

The Premium CrystalClear range has been specifically designed for the convenient, hassle-free filtration of water in swimming pools.



- Quality 6-way multiport valve with 3 year warranty, integrated sight glass and liquid filled pressure gauge for optimum filter control
- Robust barrel unions for easy installation and maintenance (flexi swivel-joint unions on the inlet and outlet of the DCC2140 and DCC2540 models only)
- Cylindrical shape provides the most efficient filtration operation and up to 370 kPa operating pressure
- Long life one piece UV stabilised, filament wound fibreglass tank
- Large media area means better filtration with high efficiency
- Specially designed T-Laterals and hub assembly to optimise water flow for efficient filtration, backwashing and water savings
- 25" Diameter Filter with either 40 or 50 Inlet and Outlet available

Model	Size (inches)	Sand Required (kg/bags)	Zelbrite Required (kg/bags)	Glass Required (kg/bags)		Maximum Flow Rate (lpm)	Minimum Backwash Flow Rate (lpm)	6 Hour Turnover* (litres)	Filtration Area (m ²)	Max. Water Temp (°C)/ Operating Pressure (kPa)
				Fine/ Medium	Medium/ Coarse					
DCC2140	21"	85/5	64/5	45/3	30/2	185	123	66,600	0.22	40/370
DCC2540	25"	145/8	109/8	75/5	30/2	260	173	93,600	0.32	40/370
DCC2550	25"	145/8	109/8	75/5	30/2	285	173	102,600	0.32	40/370
DCC2850	28"	215/11	161/11	75/5	60/4	336	224	120,960	0.38	40/370



MODEL NUMBER IDENTIFICATION		
DCC	28	50
DCC = Davey CrystalClear Fibreglass Tank	28 = 28 inch tank diameter	50 = 50 mm multiport valve

OPERATING LIMITS	
Maximum water temperature	40°C
Maximum operating pressure	370kPa

Please refer to the EcoPure media filter datasheet for larger filters and pool size requirements.

If used in a commercial application warranty may be void. Contact Davey for further information.

Model	A	B	C	D	E	Inlet PVC	Outlet PVC	Waste PVC
DCC2140	835	730	670	486	550		40	
DCC2540	935	830	770	486	635		40	
DCC2550	1070	861	781	486	635		50	
DCC2850	1070	923	843	486	700		50	